



TECHSOVAL
ENGINEERING SOLUTIONS



TECHNICAL DATA AND INSTALLATION GUIDE

TES-CGS COMBI BOX WITH GRILLE

TECHSOVAL ENGINEERING SOLUTIONS S.R.L.

VAT CODE: RO4328545 No. Registrar of Companies: J2020003618129

Address: 407310 GILAU, FERMA 7, HALA 9, CLUJ, ROMANIA, Tel.: +40 772 272 690; Email: office@techsoval.ro, website: www.techsoval.ro

IBAN code (EUR): RO53BTRLRUCRT0574794001; Bank: BANCA TRANSILVANIA; SWIFT: BTRLRO22;

IBAN code (RON): RO06BTRLRONCRT0574794001; Bank: BANCA TRANSILVANIA; SWIFT: BTRLRO22

TES-CGS COMBI BOX WITH GRILLE

- ✚ The TES-CGS Combi Box with Grille is suitable for mounting on outside walls.
- ✚ The combi box has been designed so that the fresh air intake and exhaust air are very well separated to avoid mixing.
- ✚ The combi box can be mounted with the exhaust-air outlet either on the right or the left.
- ✚ Standard powder-coated is: black (RAL 9005), and white (RAL 9010).
- ✚ Material: galvanizing steel, powder coated



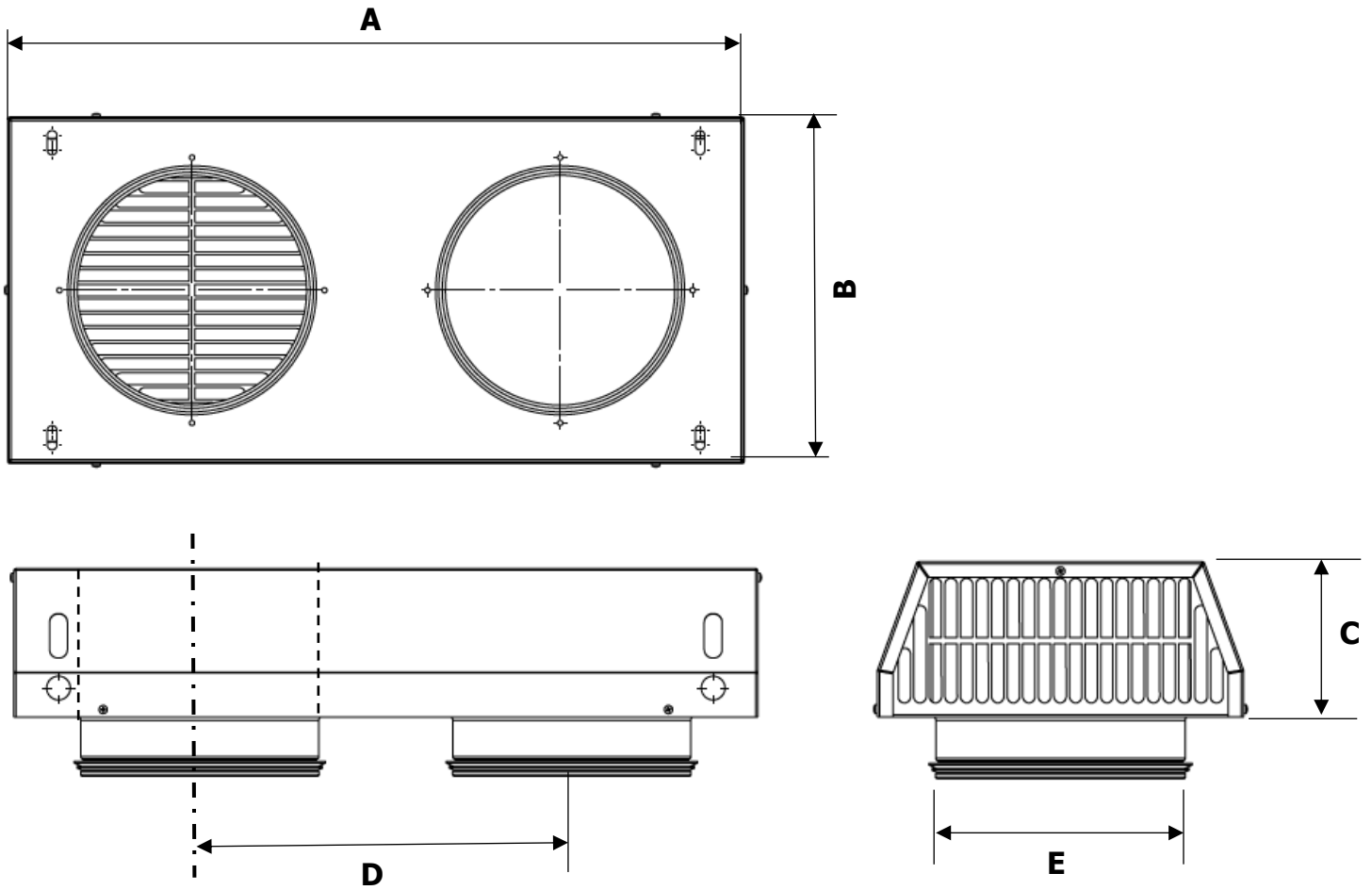
- **TES - Item Number:**

TES-Item Number	Product Description
1100125-B	TES-CGS Combi Box with Grille, Ø125, Black, RAL 9005
1100125-W	TES-CGS Combi Box with Grille, Ø125, White, RAL 9010/RAL9003
1100160-B	TES-CGS Combi Box with Grille, Ø160, Black, RAL 9005
1100160-W	TES-CGS Combi Box with Grille, Ø160, White, RAL 9010/RAL9003
1100200-B	TES-CGS Combi Box with Grille, Ø200, Black, RAL 9005
1100200-W	TES-CGS Combi Box with Grille, Ø200, White, RAL 9010/RAL9003
1100250-B	TES-CGS Combi Box with Grille, Ø250, Black, RAL 9005
1100250-W	TES-CGS Combi Box with Grille, Ø250, White, RAL 9010/RAL9003

- **Technical Parameters**

- **Products Dimension:**

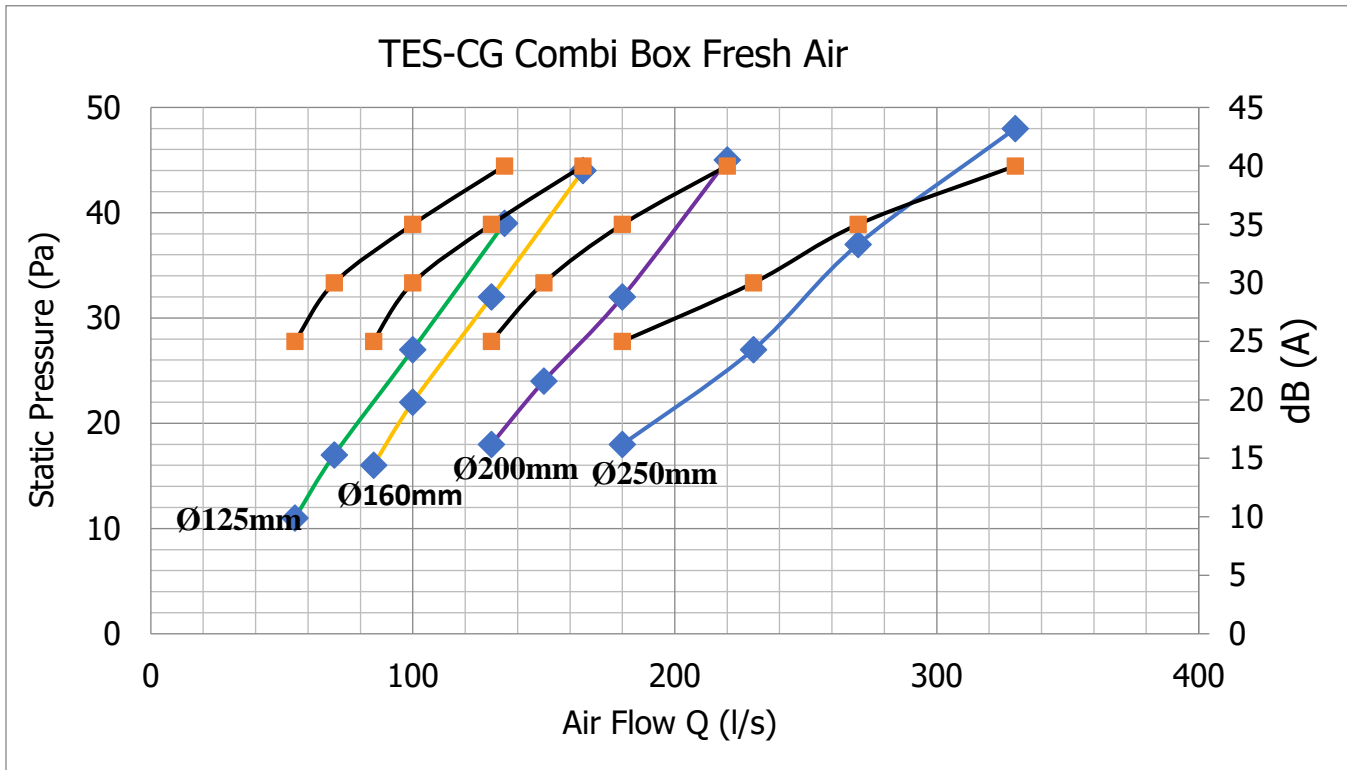
TES-CGS	A	B	C	D	Ø E
Ø125	500	235	100	250	125
Ø160	500	235	100	250	160
Ø200	620	315	100	310	200
Ø250	720	365	100	360	250



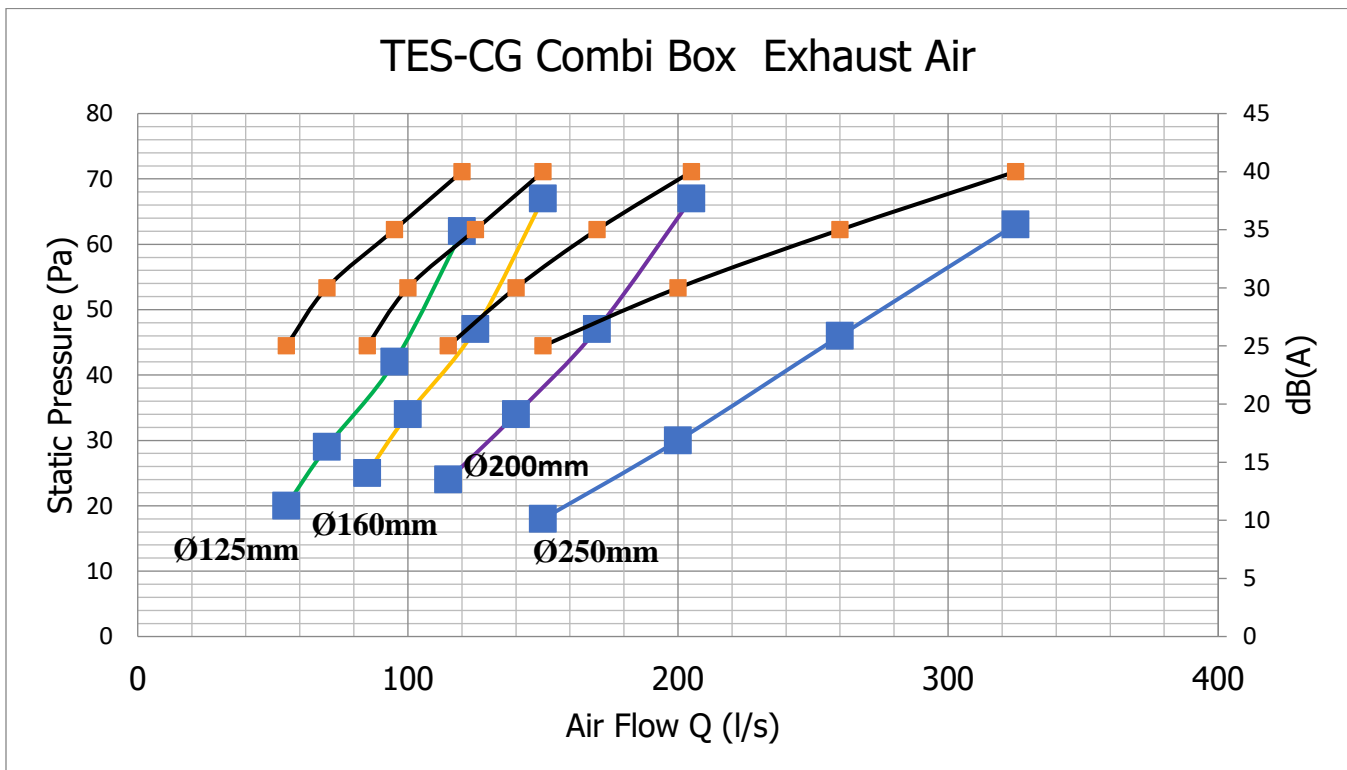
➤ **Performances- Graphs :**

Technical Data TES-CGS / 11.08.2022 / REV.0

1. TES-CG Combi Box Fresh Air



2. TES-CG Combi Box Exhaust Air



Technical Data TES-CGS / 11.08.2022 / REV.0

- **Installation:**

- ✚ The TES-CGS Combi Box with Grille is easily mounted on the wall by removing the front part by unscrewing the 6 screws on the part sides and mounting the back piece to the wall with 4 screws.
- ✚ The combi box can be mounted with the exhaust-air outlet either on the right or the left.
- ✚ We recommend using a sealant between the back piece of the combi box with grille and wall to avoid water entering the building.