



TECHSOVAL
ENGINEERING SOLUTIONS



TECHNICAL DATA AND INSTALLATION GUIDE

TES-CGR COMBI BOX WITH GRILLE

TECHSOVAL ENGINEERING SOLUTIONS S.R.L.

VAT CODE: RO4328545 No. Registrar of Companies: J2020003618129

Address: 407310 Gilau, Ferma 7,Hala 9, CLUJ, ROMANIA, Tel.: +40 772 272 690; Email: office@techsoval.ro, website: www.techsoval.ro

IBAN code (EUR): RO53BTRLEURCRT0574794001; Bank: BANCA TRANSILVANIA; SWIFT: BTRLRO22; IBAN code

(RON):RO06BTRLRONCRT0574794001; Bank: BANCA TRANSILVANIA; SWIFT: BTRLRO22

TES-CGR COMBI BOX WITH GRILLE

- ✚ The TES-CGR Combi Box with Grille is suitable for mounting on outside walls.
- ✚ The combi box has been designed so that the fresh air intake and exhaust air are very well separated to avoid mixing.
- ✚ The combi box can be mounted with the exhaust-air outlet either on the right or the left.
- ✚ Standard powder-coated is: black (RAL 9005), and white (RAL 9010).
- ✚ Material: galvanizing steel ZN275, powder coated



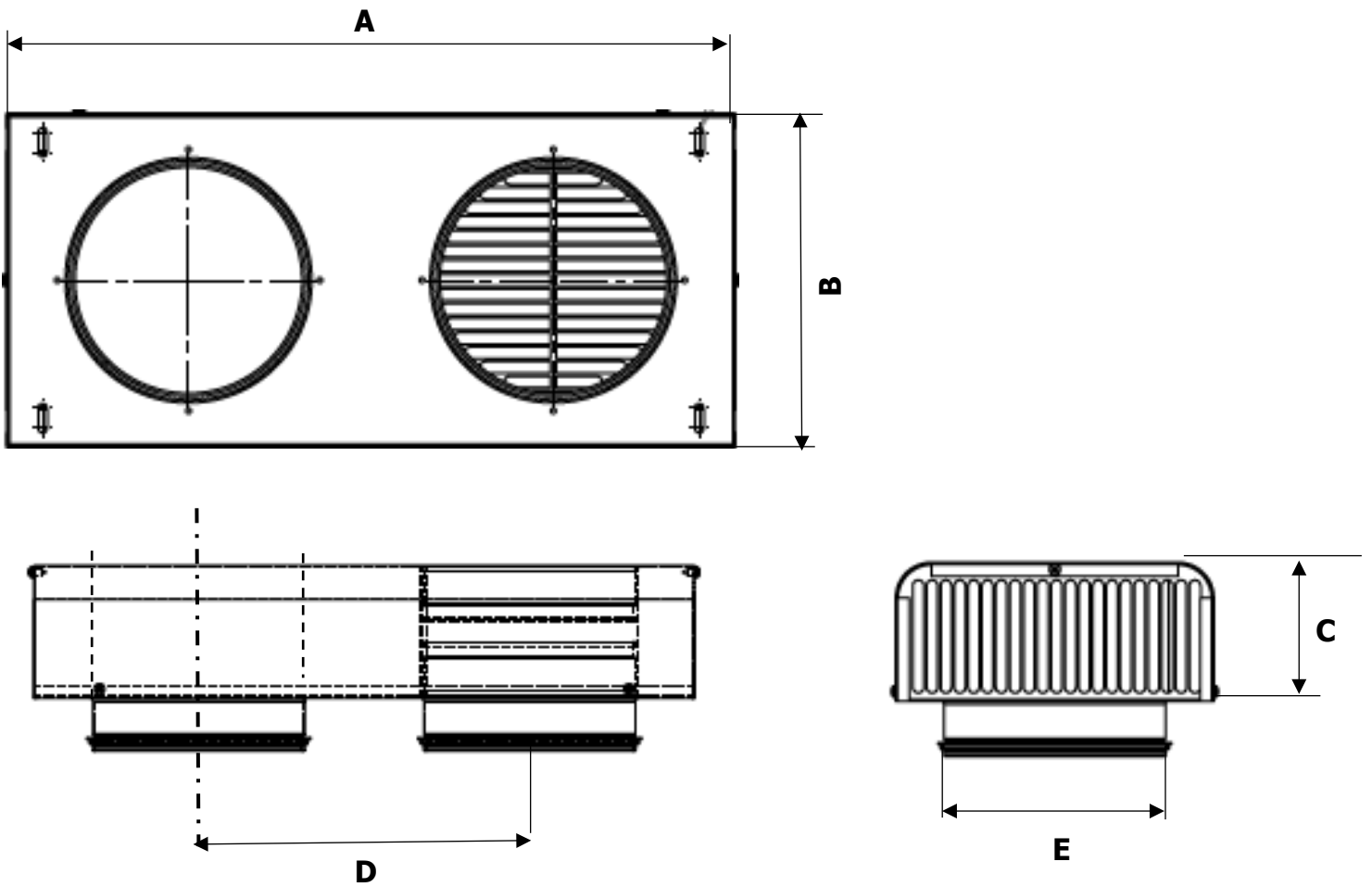
- **TES - Item Number:**

TES-Item Number	Product Description
1300125B	TES-CGR Combi Box with Grille, Ø125, Black, RAL 9005
1300125W	TES-CGR Combi Box with Grille, Ø125, White, RAL 9010
1300160B	TES-CGR Combi Box with Grille, Ø160, Black, RAL 9005
1300160W	TES-CGR Combi Box with Grille, Ø160, White, RAL 9010
1300200B	TES-CGR Combi Box with Grille, Ø200, Black, RAL 9005
1300200W	TES-CGR Combi Box with Grille, Ø200, White, RAL 9010
1300250B	TES-CGR Combi Box with Grille, Ø250, Black, RAL 9005
1300250W	TES-CGR Combi Box with Grille, Ø250, White, RAL 9010

- **Technical Parameters**

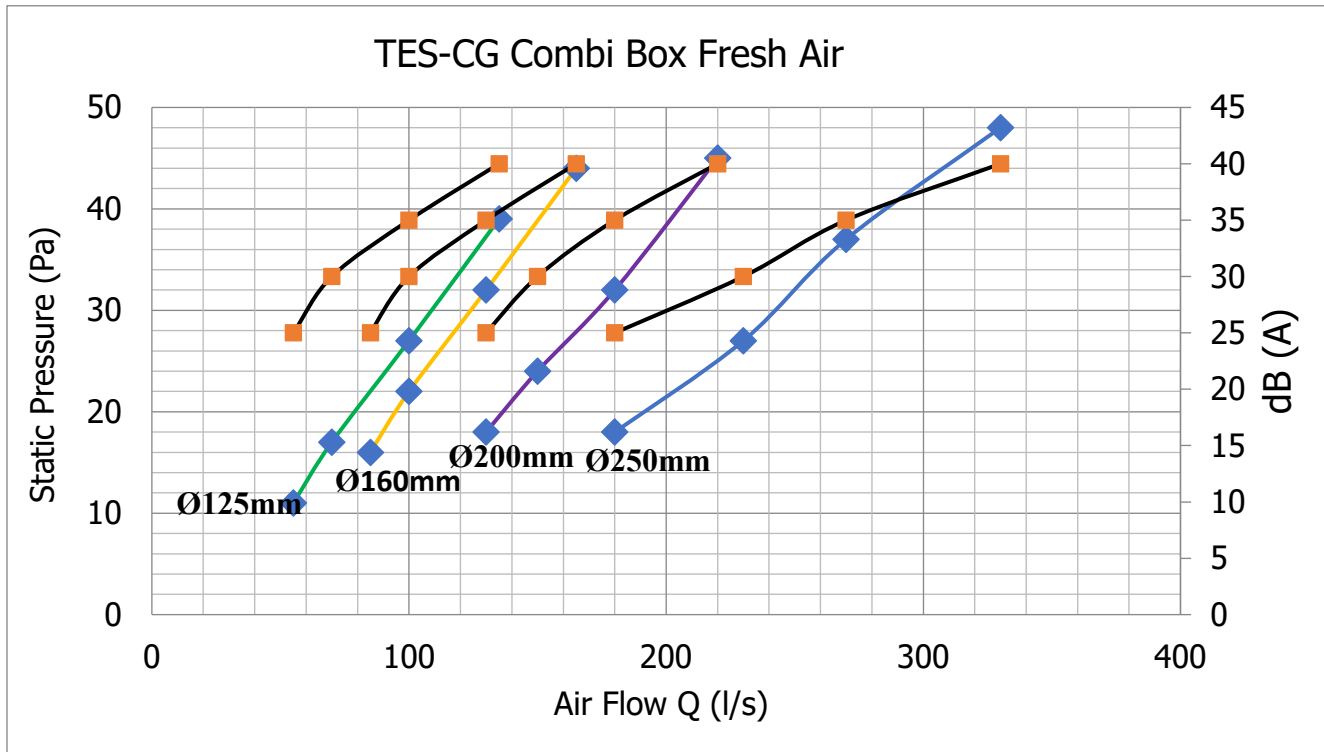
- **Products Dimension:**

TES-CGR	A	B	C	D	Ø E
Ø125	500	235	100	250	125
Ø160	500	235	100	250	160
Ø200	620	315	100	310	200
Ø250	720	365	100	360	250

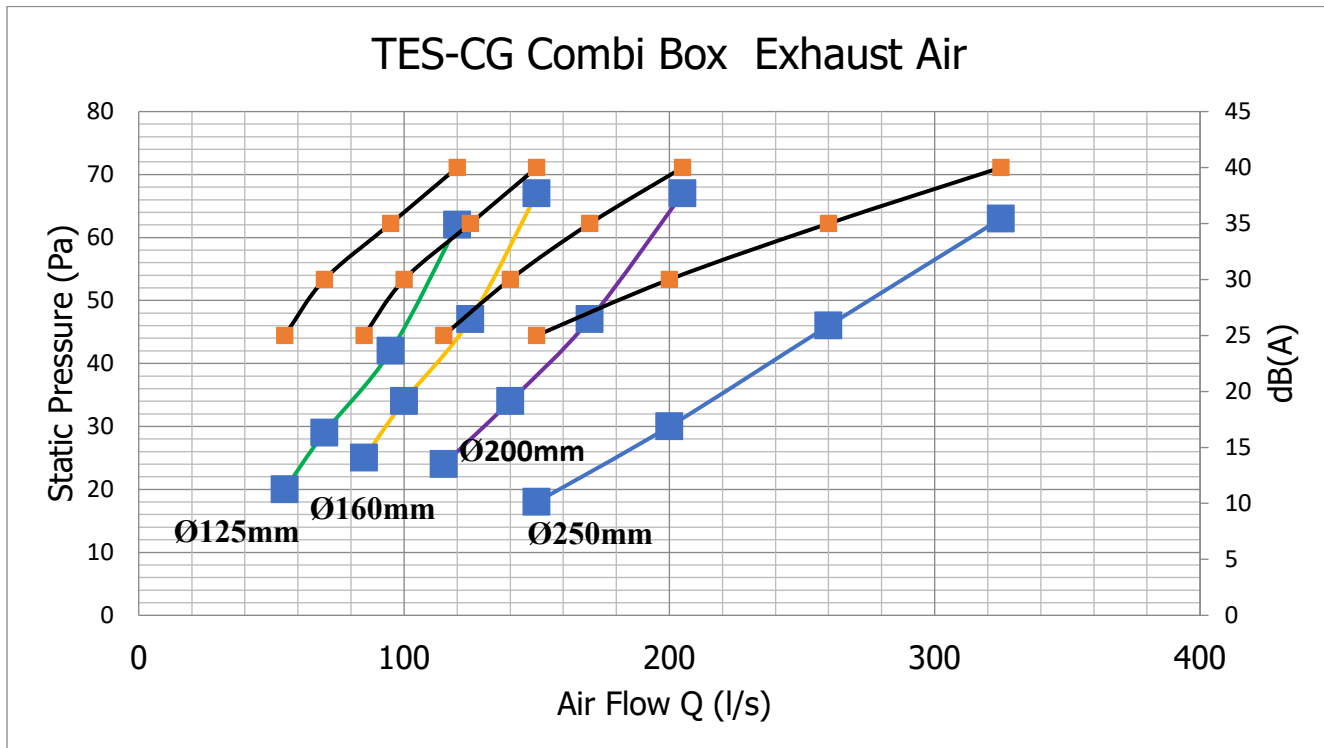


Performances- Graphs :

1. TES-CG Combi Box Fresh Air



2. TES-CG Combi Box Exhaust Air



- **Installation:**

- ✚ The TES-CGS Combi Box with Grille is easily mounted on the wall by removing the front part by unscrewing the 6 screws on the part sides and mounting the back piece to the wall with 4 screws.
- ✚ The combi box can be mounted with the exhaust-air outlet either on the right or the left.
- ✚ We recommend using a sealant between the back piece of the combi box with grille and wall to avoid water entering the building.