



**TECHSOVAL**  
ENGINEERING SOLUTIONS



# **TECHNICAL DATA AND INSTALLATION GUIDE**

## **Roof cape VHS 125/160**

**TECHSOVAL ENGINEERING SOLUTIONS S.R.L.**

VAT CODE: RO4328545 No. Registrar of Companies: J2020003618129

Address: 407310 GILAU, FERMA 7, HALA 9, CLUJ, ROMANIA, Tel.: +40 772 272 690; Email: [office@techsoval.ro](mailto:office@techsoval.ro), website: [www.techsoval.ro](http://www.techsoval.ro)

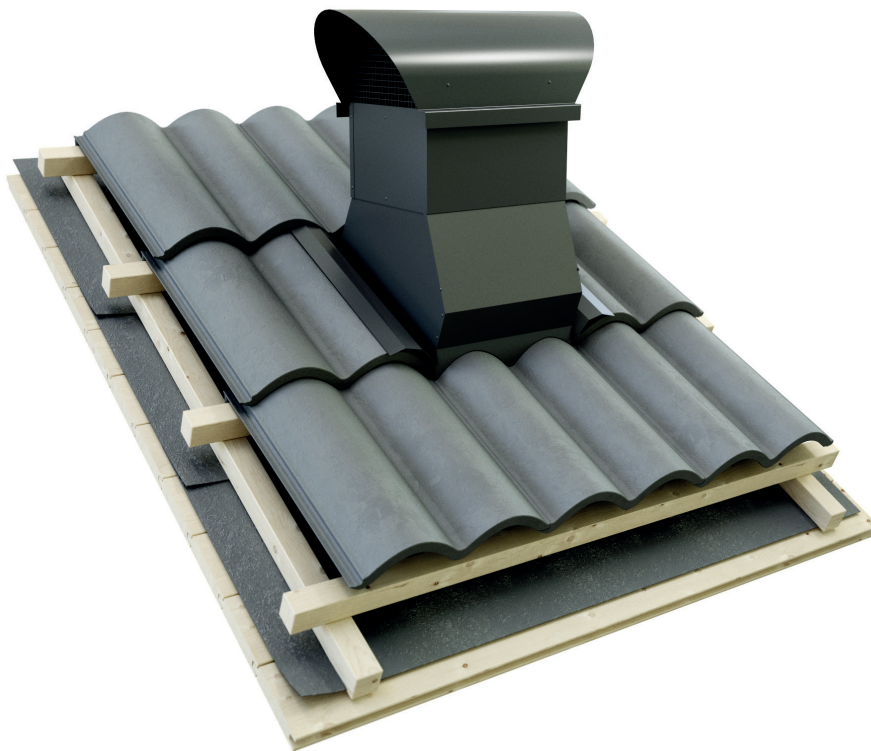
IBAN code (EUR): RO53BTRLRURCRO0574794001; Bank: BANCA TRANSILVANIA; SWIFT: BTRLRO22;

IBAN code (RON): RO06BTRLRONCRO0574794001; Bank: BANCA TRANSILVANIA; SWIFT: BTRLRO22



# PRODUCT INFORMATION

## Roof cape VHS 125/160



Insulated  
according to  
El 15

Adjustable roof  
hood for normal  
ventilation or  
ductwork.

### Design:

The exhaust is protected under the hood's roof cover and equipped with a small critter-proof wire mesh grille. The top is mounted vertically, adjustable in positions between 11°-40° and fits 2-cup concrete roof-tiles. The pipe in the hood is insulated according to fire-class El 15 and can therefore be used for ventilation of cooker-hoods. The hood is supplied complete with sheet metal mounting and fits connections of dimension 160 mm or 125 mm using the included reducer.



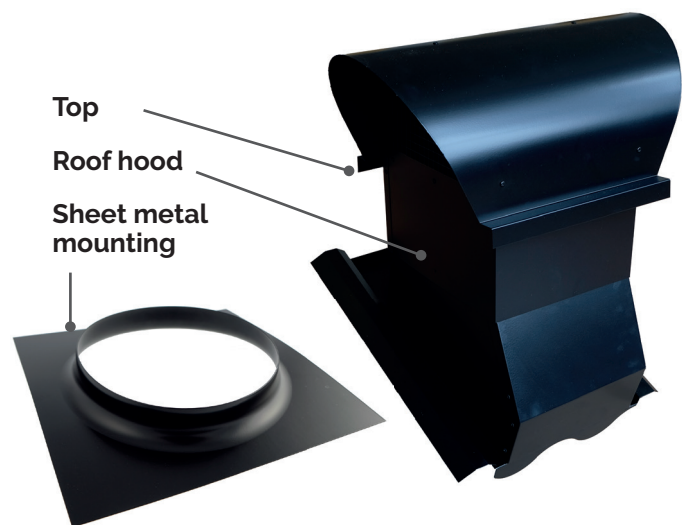
# MOUNTING INSTRUCTIONS

## Roof hood with 1 reducer

Ø125/160, replaces 1 roof tile

### Included parts:

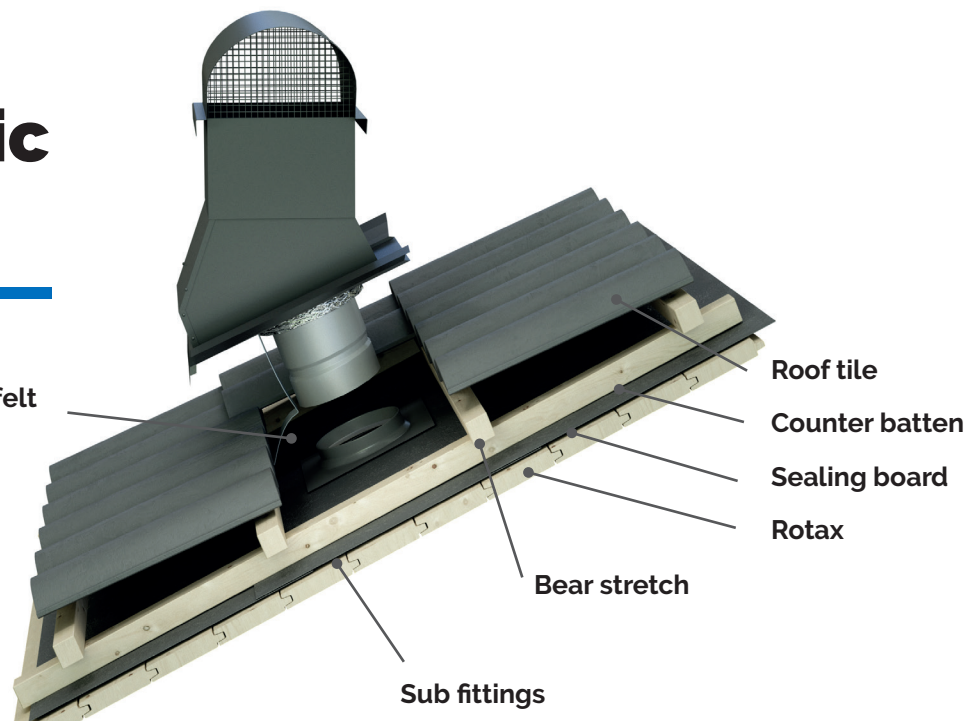
- 2 Farmar screws 4.8x19 mm to fasten the top to the roof hood
- 2 Farmar screws 4.8x35 mm to fasten the roof hood to the batten/rafter at the top edge
- 8 Mounting screws 4.2x14 mm to attach the bottom bracket to the rafters
- 1 Farmar screw 4.8x35 mm to attach the storm fuse to the raw sheet
- 1 reducer 125/160 for the possibility of connecting to a 125 mm duct instead of 160 mm



## Schematic drawing

### Storm protection roofing felt

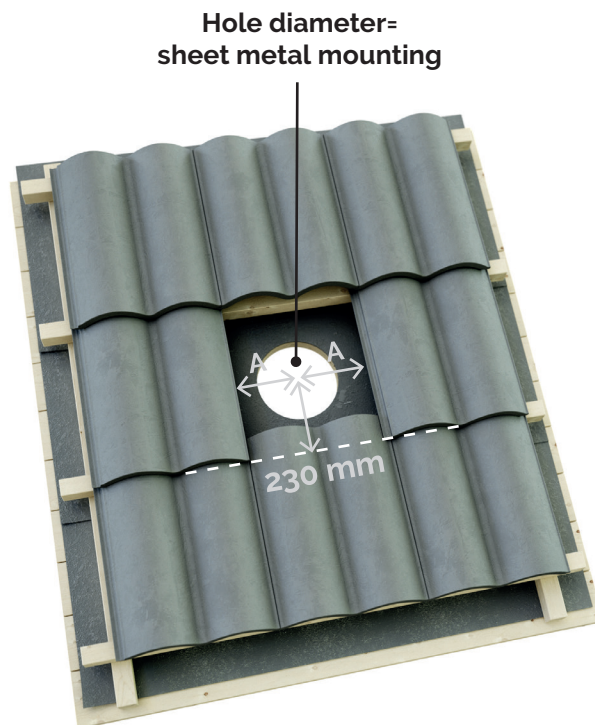
Pulled down through the sheet metal mounting and attached to the rotax.



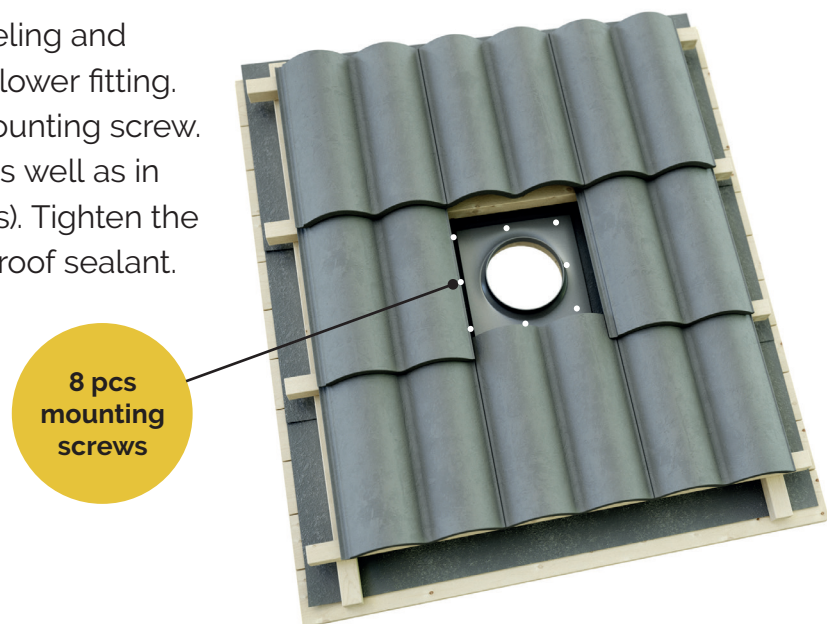


# Mounting roof hood

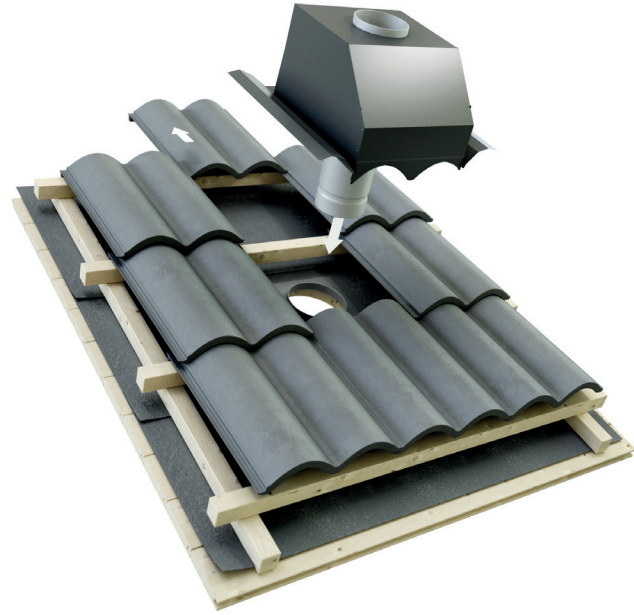
**1.** Mark out where the roof hood will be placed. Remove the roof tile. Make sure you don't end up on top of one truss or other unsuitable place. The holes are made perpendicular to the roof. In height, the center of the hole must be 230 mm from the front edge of the tiles. Sideways, the hole must be placed in the middle (dimension "A" must be equal).



**2.** Cut an incision in the peneling and push in approx. 20 mm of the lower fitting. Screw in with the included mounting screw. Place screws in each corner as well as in the center (8 mounting screws). Tighten the joints and screws with waterproof sealant.



**3.** The overhead tile is pushed up towards the ridge to facilitate assembly of the roof hood. Install the roof hood at the same slope angle as the roof. This is done by sticking the insulating channel down through the lower fitting. Screw the roof hood's upper edge to the underfitting in the existing batten/rotax.



**4.** Mount the top vertically. Screw it to the roof hood with the included farm screws. After installation, the overhead tile is pushed back.

